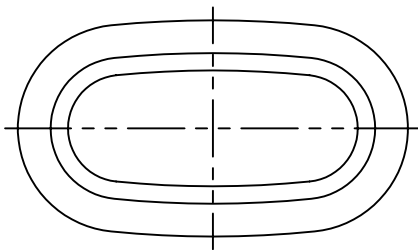
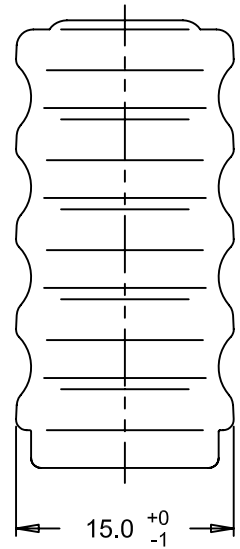
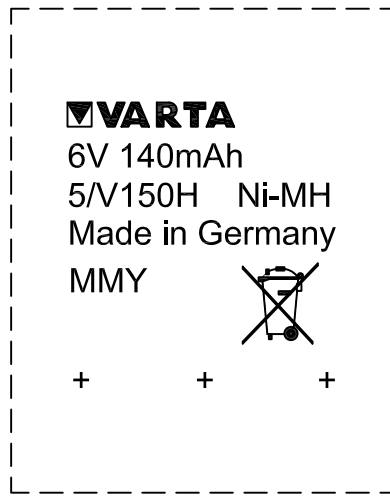
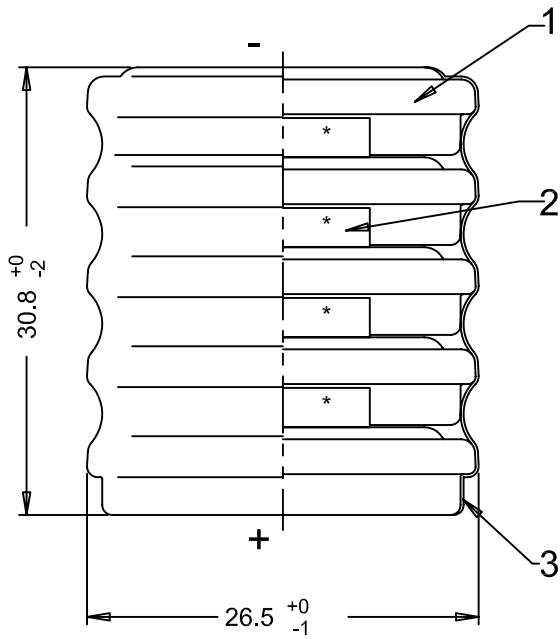
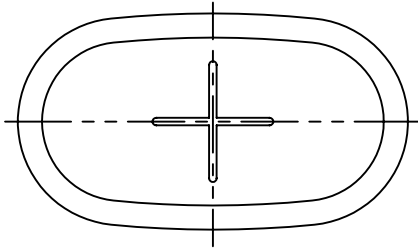


This is controlled document.
 Hardcopy to be endorsed by authorized person.
 Check with Issuing Officer or SAP system for latest update.



Approx. wt : 30 g

1	R108/08	To add in printed sleeve the crossed-out wheeled bin symbol	2008-03-17	TitisWS	
No	AO No	Revisions	1	Date	Name

Projection:		Material: Refer to part list no: 071058		Description: 5/V150H battery with shrink sleeve	
Dimensions in mm		Prepared & Checked	Verified & Approved	Dwg. No: 071058	4 0 1
Tolerance: As specified		1998-02-20	TitisWS	VKB Order No: 55615 305 052	
Scale: 2 : 1					

Rights reserved to make technical changes, as a result of further development, without notice. This drawing is the property of VARTA Microbattery and must not be copied or disclosed to a third party without the written consent of VARTA Microbattery.

